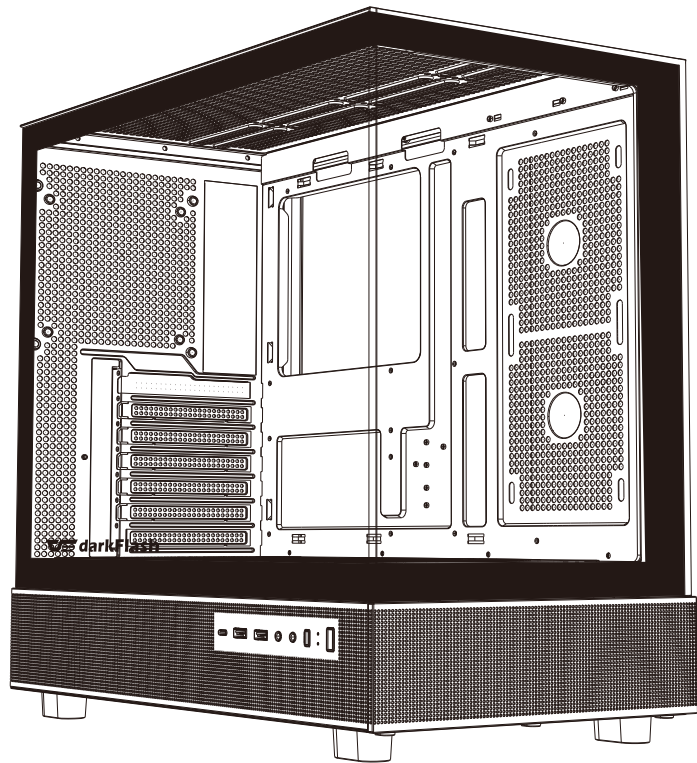


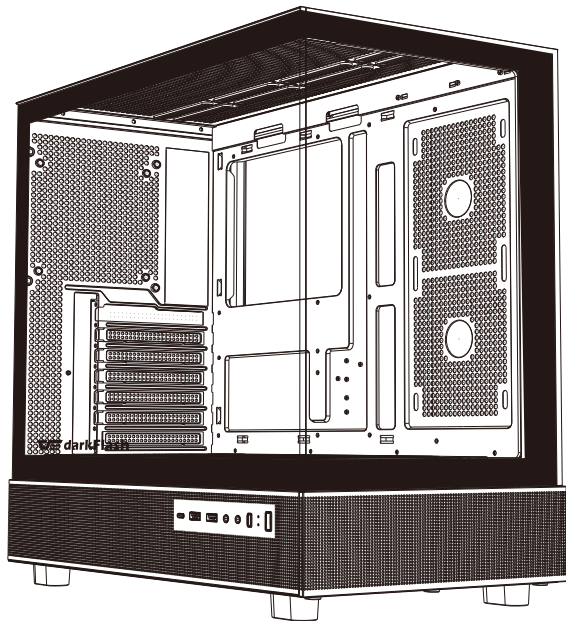


DPX90

LUXURY ATX PC CASE
TEMPERED GLASS SIDE PANEL



A. Product Information



Model Name

DPX90

Material

0.6mm SPCC

Motherboard

ATX / M-ATX / ITX

Hardware Size

430*230*436mm(W*H*D)

Case Size

435*230*456mm(W*H*D)

HDD

2 (Max)

SSD

1 (Max)

PCI Slots

7 Slots

Max. VGA card

425mm

Max. CPU Cooler

185mm

Power Supply

270mm

I/O

Power/ Reset/ USB2.0*1/ USB3.0*1/ Type-C*1
/ HD AUDIO

Cooling System

Top : 120mm*3/ 140mm*2

Side : 120mm*2 Bottom : 120mm*3

Rear : 120mm*1/ 140mm*1

Radiator System

Top : 240/280/360mm

Rear : 120mm*1/ 140mm*1

B. Accessories Bag

Motherboard / SSD screws *19

Motherboard, 2.5" S.S.D. installation.



Iron columns *3

Motherboard installation.
(6 pcs have been installed in the hardware)



Fan screws *12

Fans cooler installation.



Psu screws *6

Power supply installation.



HDD screws *8

3.5" H.D.D. installation.

PCIE slot cover *1

Protect the motherboard from foreign matter intrusion.



Microfiber cloth *1

Clean the glass side panel.



Belts *10

Bundle wires to keep the chassis tidy.



Plastic female buckles *2

Fixed glass panel.



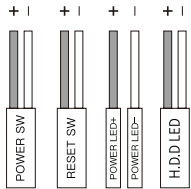
Copper pillar spacer *1

Assist in the installation and removal of iron column.

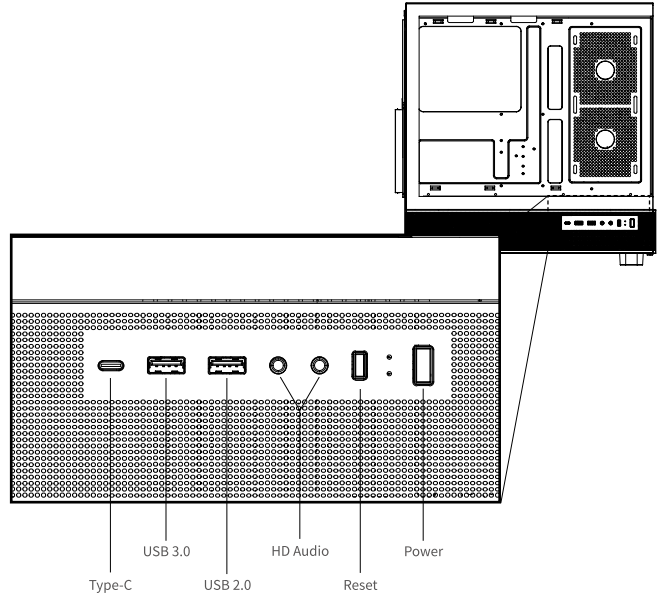
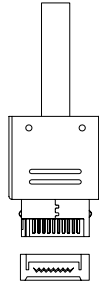
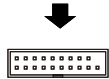
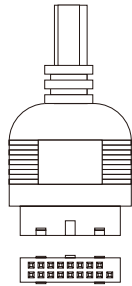


C. Cable and I/O Port

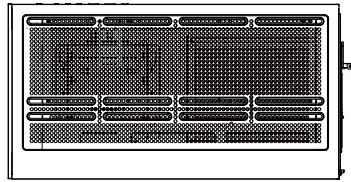
Output Cable Ports



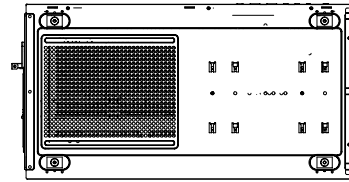
Motherboard



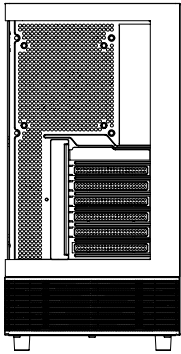
D. Six Angle Picture



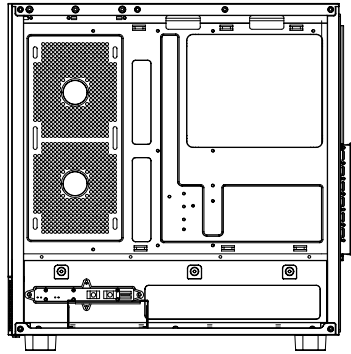
Top



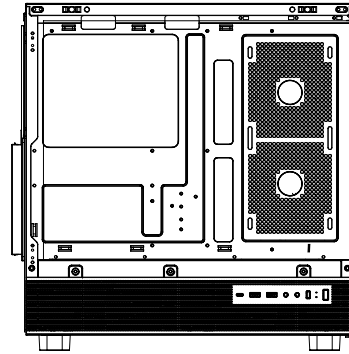
Bottom



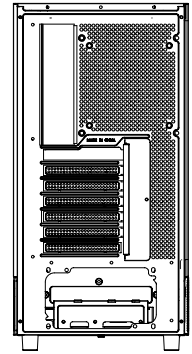
Front



Right

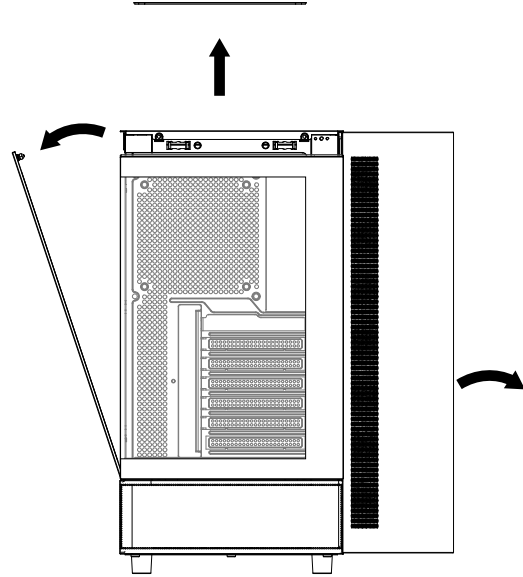
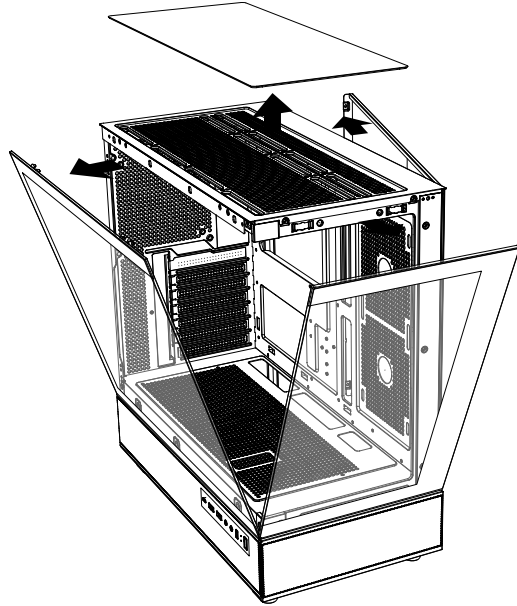


Left



Rear

E. Panel Disassembly



F. Installation

1. Motherboard Installation 9

2. System Fans Installation 10

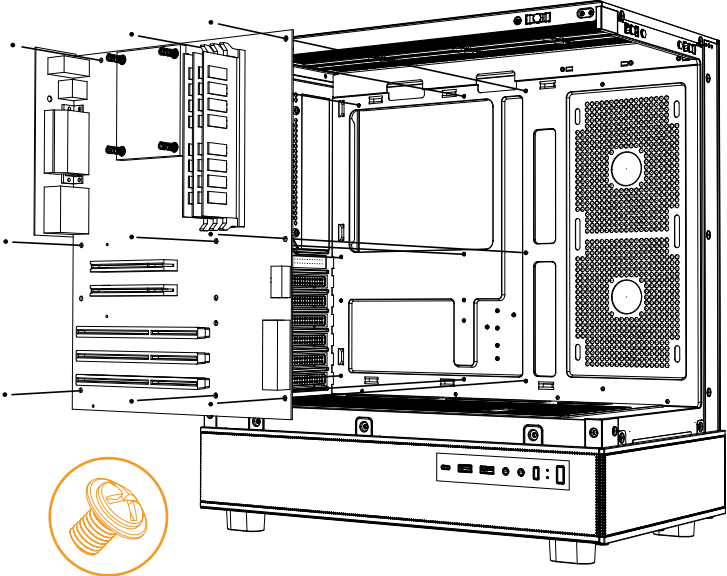
3. Radiator System Installation 12

4. Power Supply Installation 14

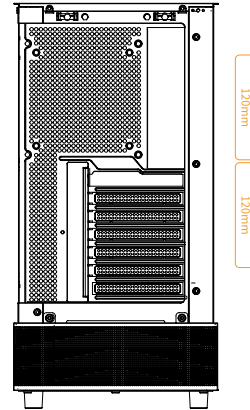
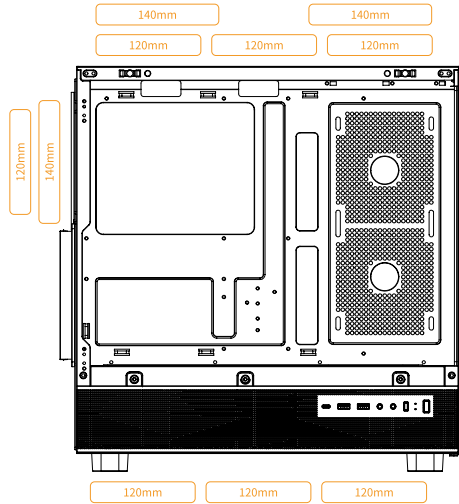
5. HDD & SSD Drive Installation 15

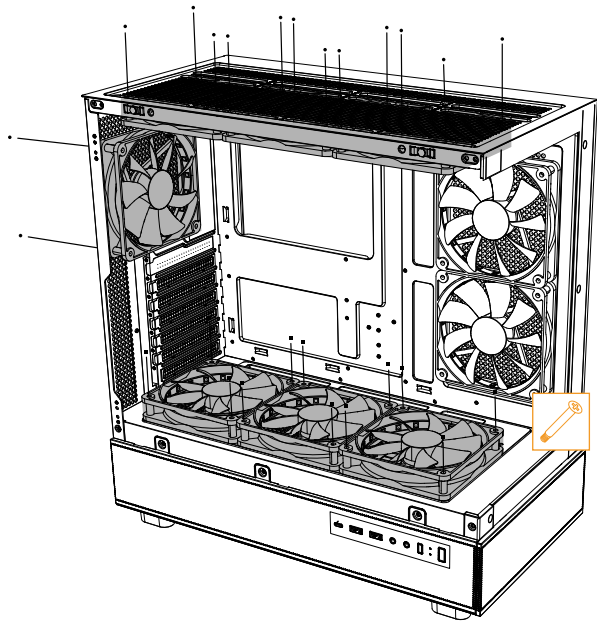
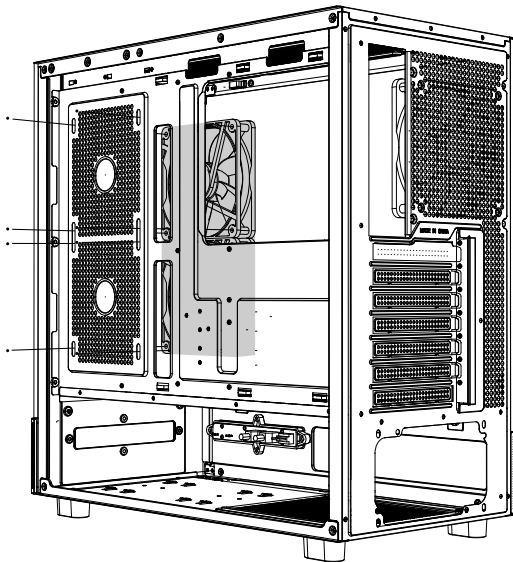
6. VGA Card Installation 17

1. Motherboard Installation

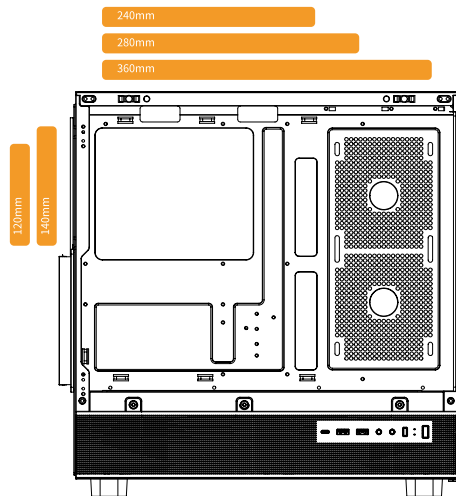


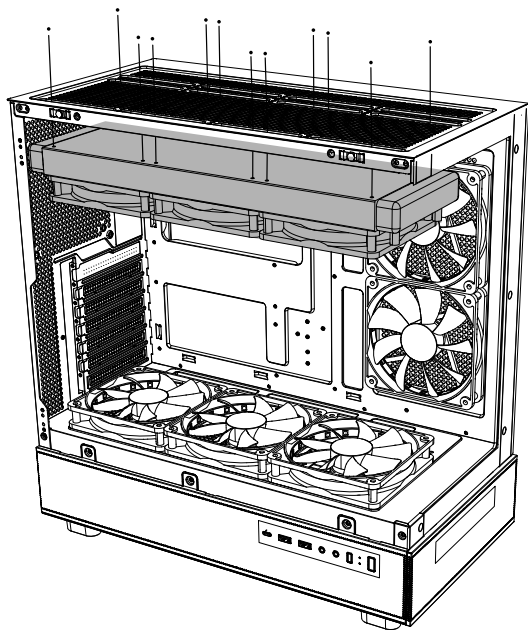
2. System Fans Installation



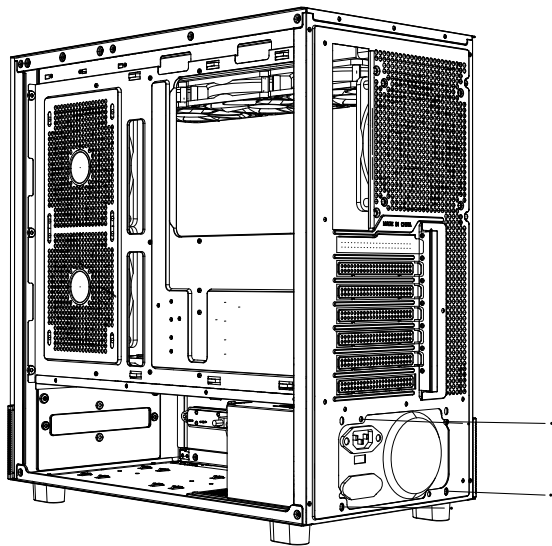


3. Radiator System Installation

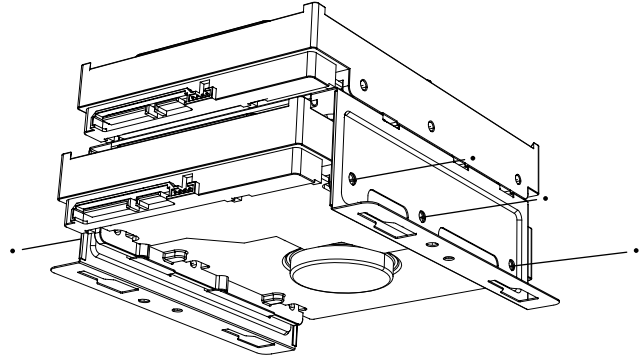
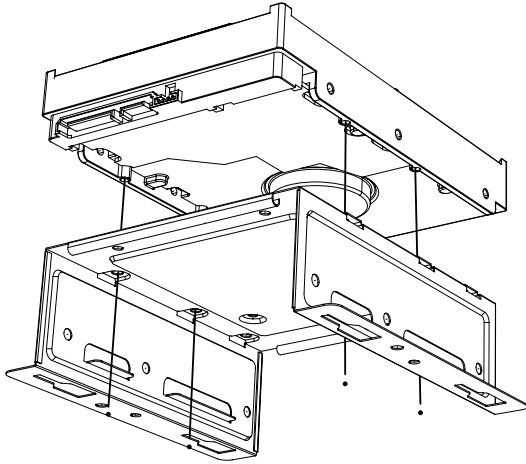


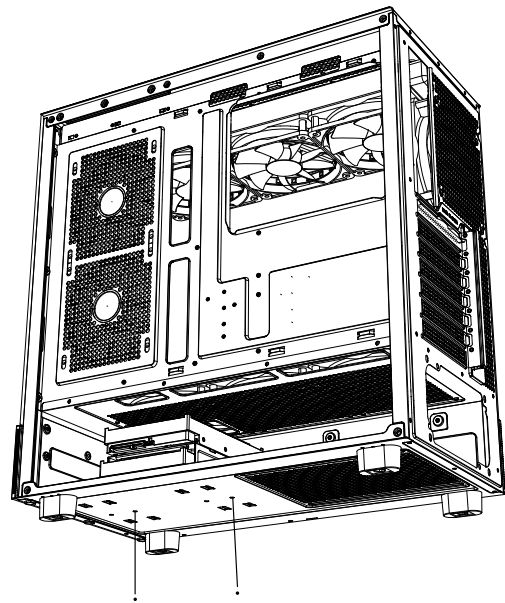
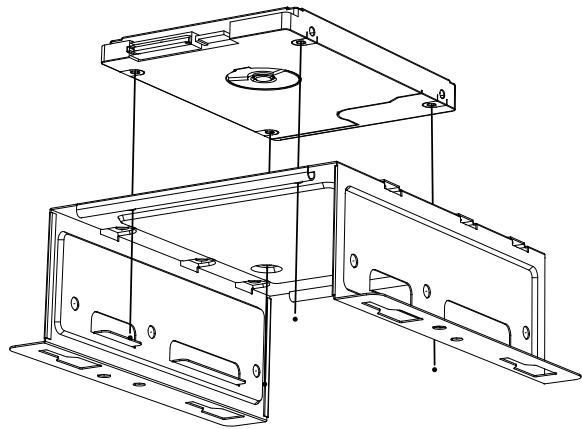


4. Power Supply Installation

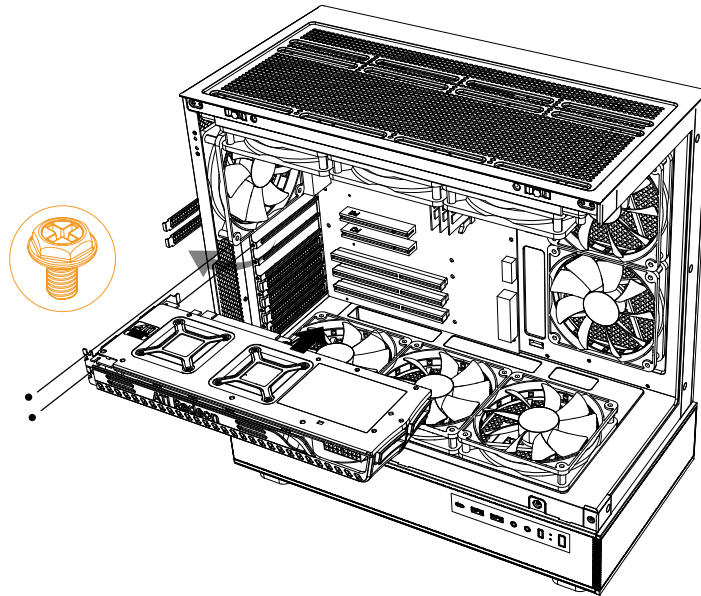


5. HDD & SSD Drive Installation





6. VGA Card Installation



 **darkFlash**

