

### CATALOGUE

#### 1. PRODUCT INFORMATION

- 1.1 Accessory Box ..... 03
- 1.2 Spacing And Specification ..... 04

#### 2. COMPONENTS AND PORTS

- 2.1 Exploded View ..... 06
- 2.2 Cable Connections ..... 07
- 2.3 Button and I/O ..... 08
- 2.4 Fans & Radiator Installation ..... 09
- 2.5 Motherboard Installation ..... 17
- 2.6 Graphics Card Installation ..... 18
- 2.7 Power Supply Installation ..... 19
- 2.8 SSD / HDD Installation ..... 20
- 2.9 Vertical Graphics Card Installation ..... 23
- 2.10 Hub Installation ..... 25

#### 1.2 CLEARANCES AND SPECIFICATIONS .....05

Steel Thickness : 0.8mm SPCC  
 Motherboard : E-ATX / ATX / Micro ATX / ITX  
 Overall Size : 560\*249\*535mm  
 Chassis Size : 560\*249\*515mm  
 Carton Size : 605\*340\*646mm  
 3.5" Drive Bay : H.D.D.\*5 Pcs(Max)  
 2.5" Drive Bay : S.S.D.\*4 Pcs(Max)  
 Expansion Slots : 8 Slots  
 VGA Clearance : 480mm Length (Max)  
 CPU Clearance : 190mm Height (Max)  
 Radiator System : Top : 420 / 360 / 280 / 240 / 120mm  
 Side : 420 / 360 / 280 / 240 / 120mm  
 Rear : 120mm  
 Fan Support : Front : 140mm\*3 / 120mm\*3  
 Top : 140mm\*3 / 120mm\*3  
 Side : 140mm\*3 / 120mm\*3  
 Rear : 140mm\*1 / 120mm\*1  
 I/O Ports : USB3.0\*2 / TYPE-C\*1 / HD Audio / Reset / Power  
 Power Supply : Bottom, ATX 230mm  
 Left Panel : Tempered Glass



FLY BEYOND LIMITS

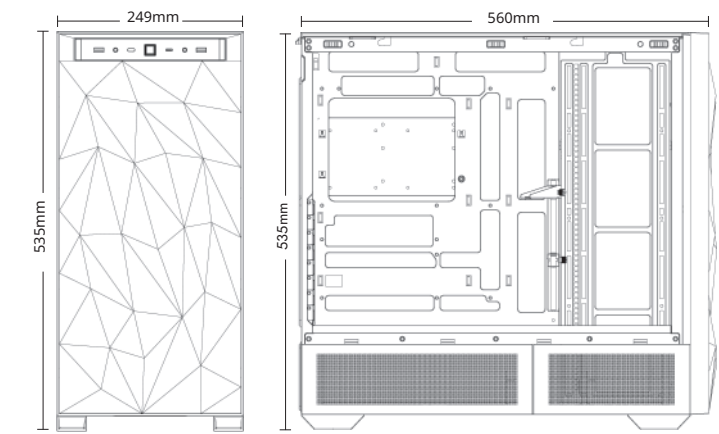
darkFlash

facebook.com/darkflash\_globe  
instagram.com/darkflash\_official  
darkflash\_official

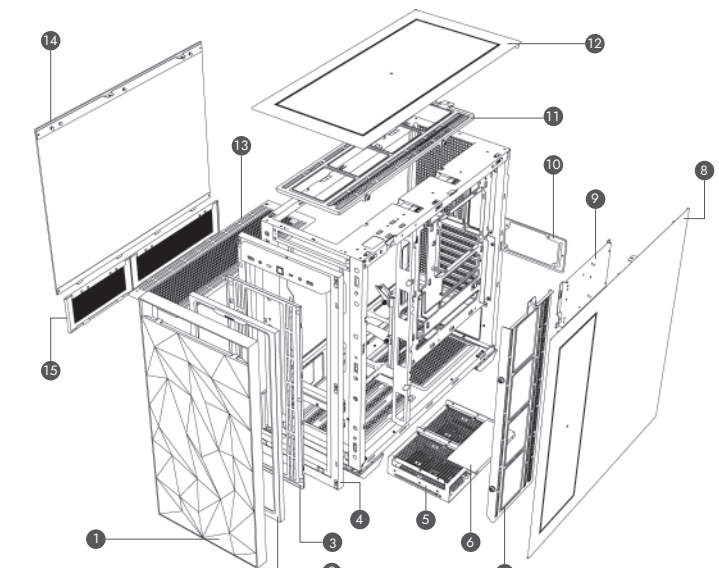
#### 1.1 ACCESSORY BOX .....03



#### 1.2 CLEARANCES AND SPECIFICATIONS .....04

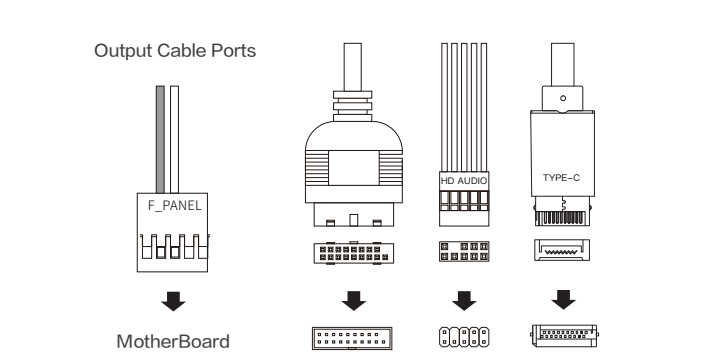


#### 2.1 EXPLODED VIEW .....06



No. PART NAME	
1. Front panel - 01	9. Storage Drive bracket
2. Front panel - 02	10. PSU bracket
3. Front cooling bracket	11. Top cooling bracket
4. Front panel - 03	12. Top panel
5. Storage Drive Tray*2	13. Bottom cooling bracket
6. Side cooling cap	14. Left panel
7. Side cooling bracket	15. Left PSU cover
8. Right panel	

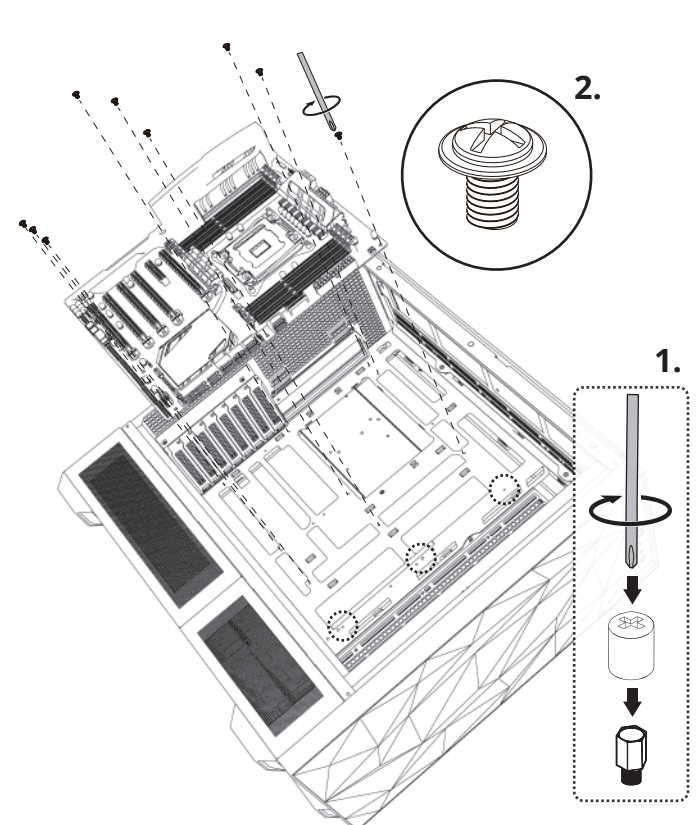
#### 2.2 CABLE CONNECTIONS .....07



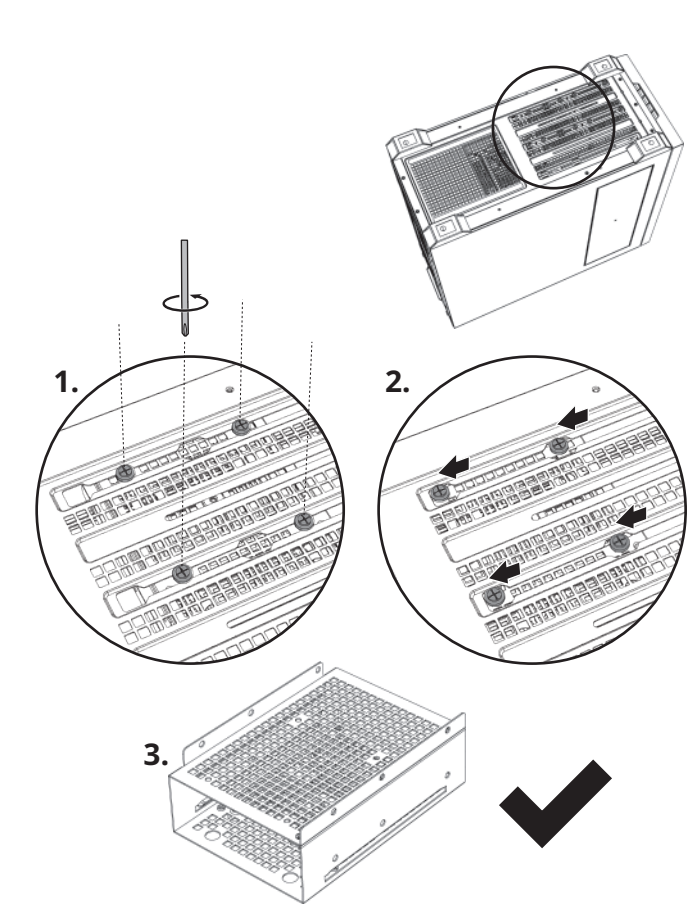
#### 2.3 BUTTON AND I/O .....08

No. PART NAME	
1. USB3.0	5. Type-C
2. Speaker	6. Mic
3. LED	7. USB3.0
4. Power	

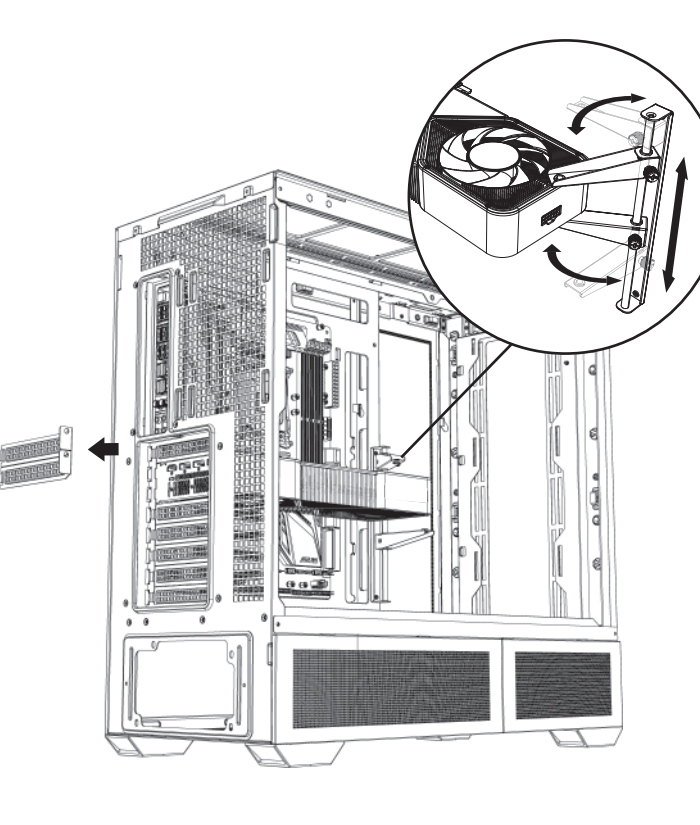
#### 2.5 MOTHERBOARD INSTALLATION .....17



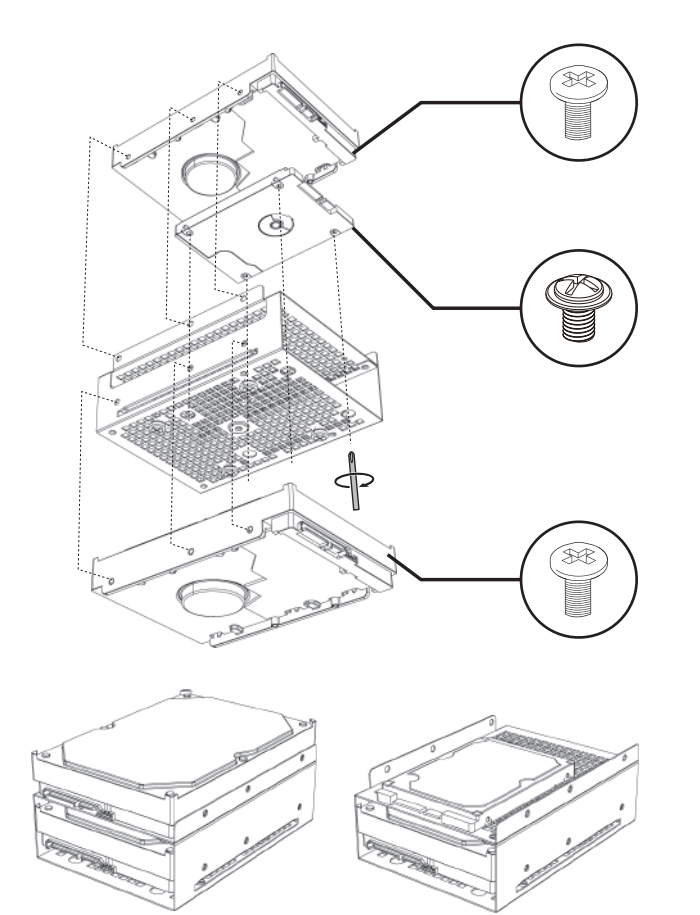
#### 2.8 SSD/HDD INSTALLATION .....21



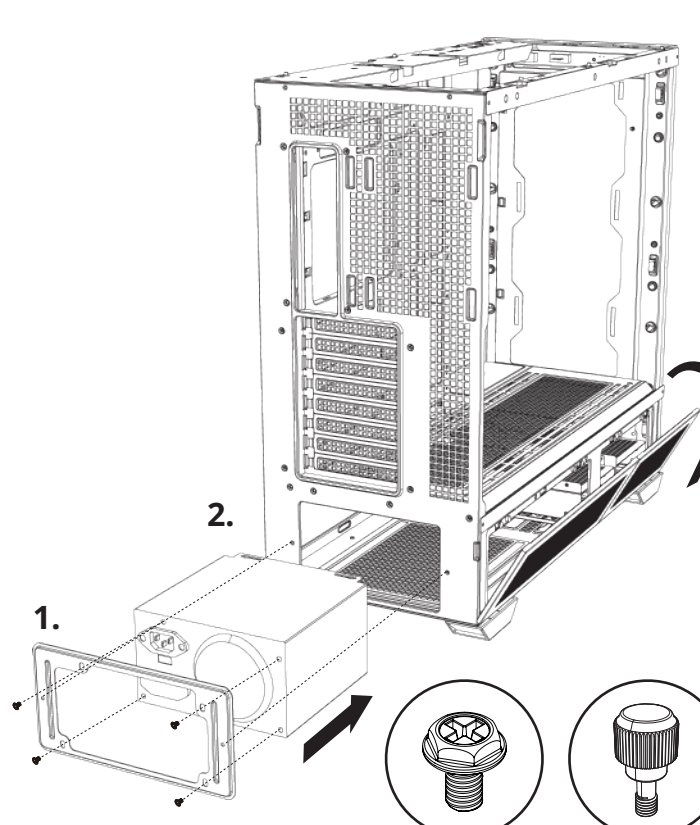
#### 2.6 GRAPHIC CARD INSTALLATION .....18



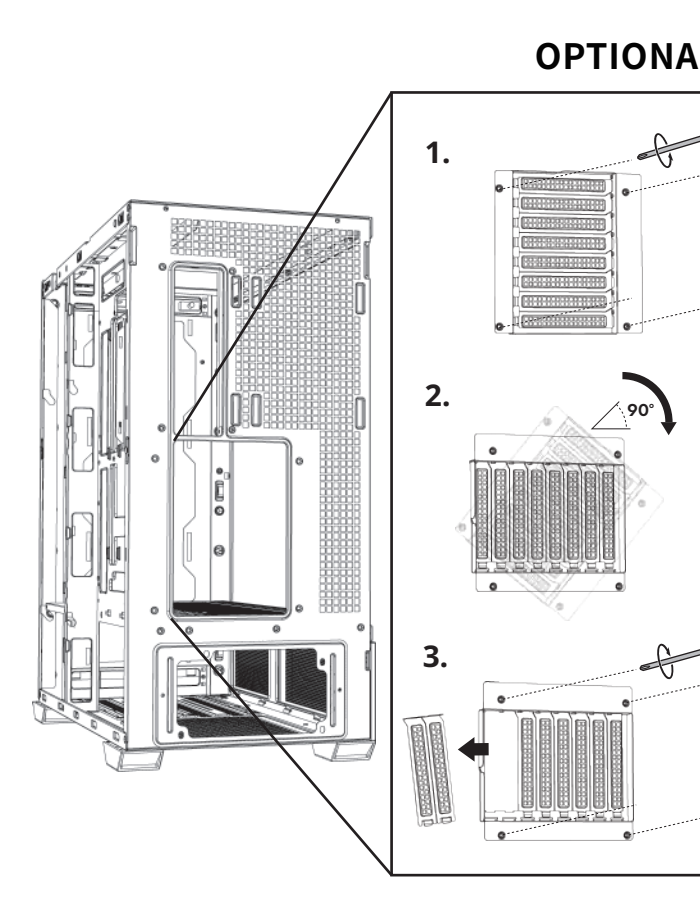
#### 2.8 SSD/HDD INSTALLATION .....22



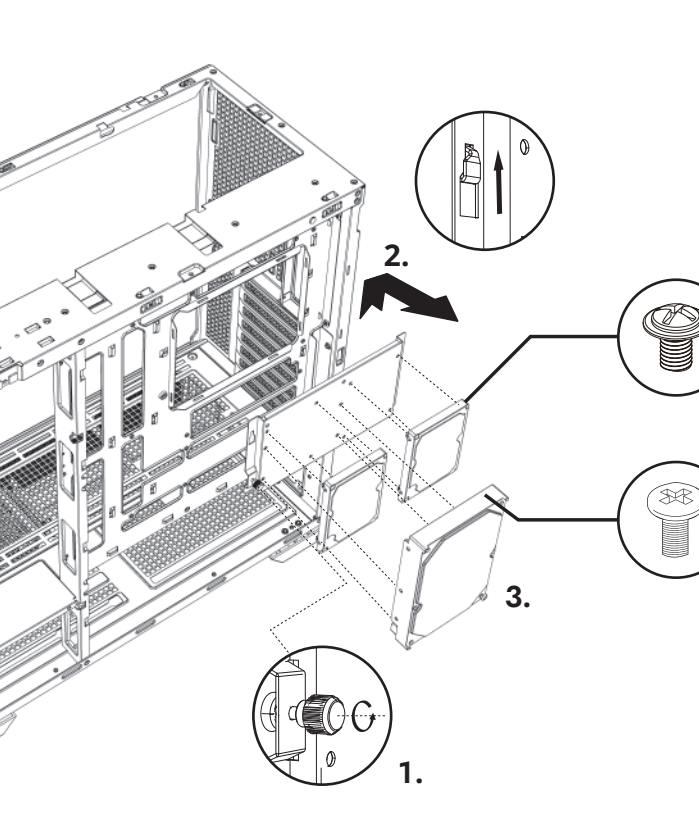
#### 2.7 POWER SUPPLY INSTALLATION .....19



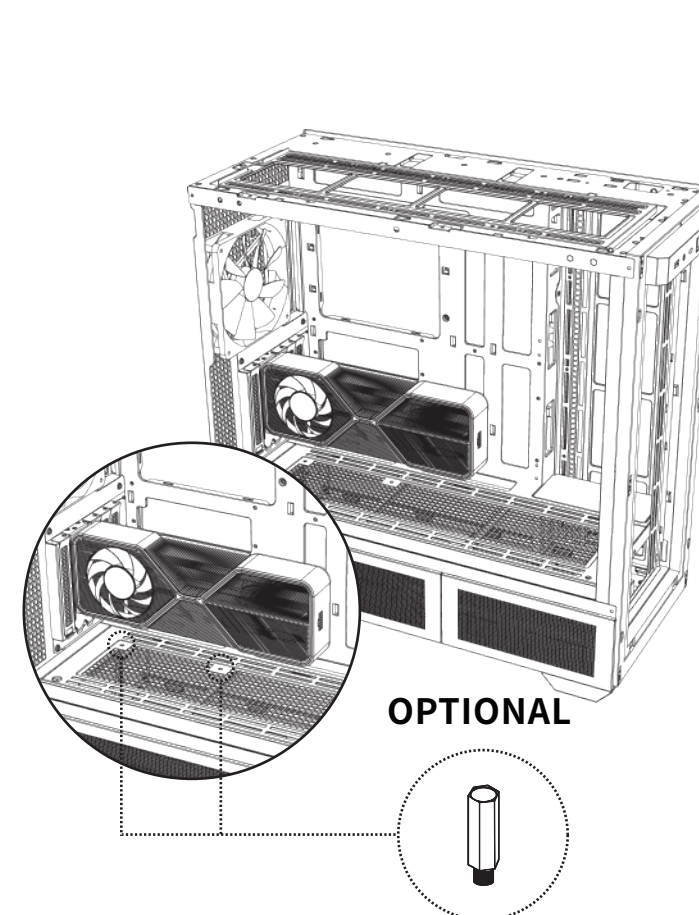
#### 2.9 VERTICAL GRAPHIC CARD INSTALLATION .....23



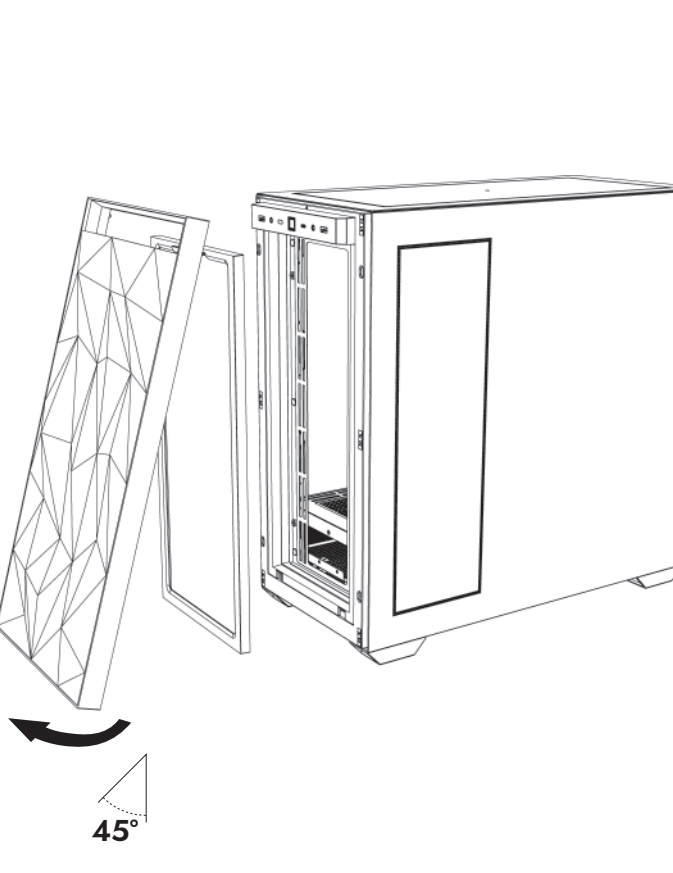
#### 2.8 SSD / HDD INSTALLATION .....20



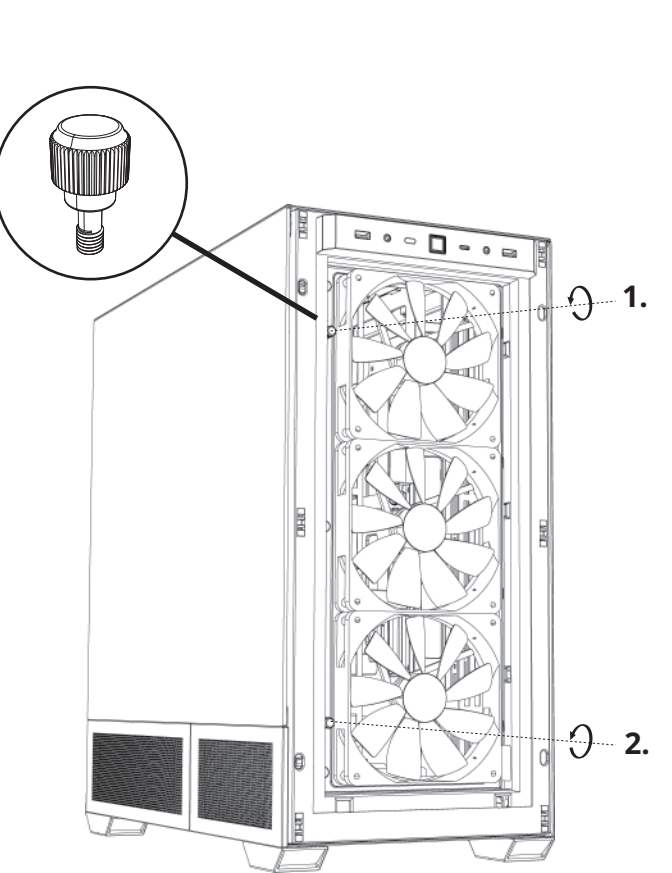
#### 2.9 VERTICAL GRAPHIC CARD INSTALLATION .....24



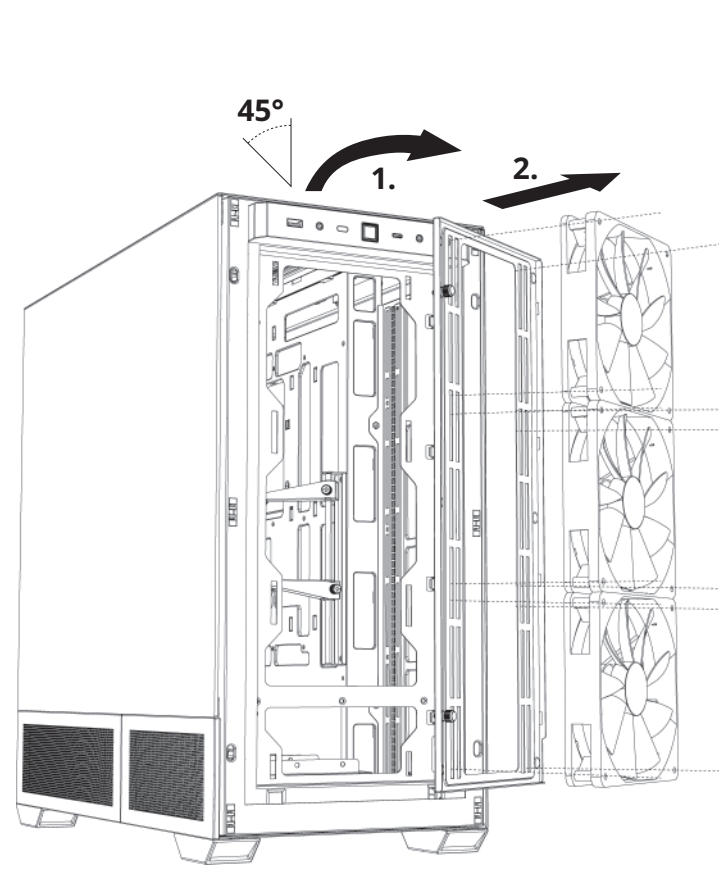
#### 2.4 FAN & RADIATOR INSTALLATION .....09



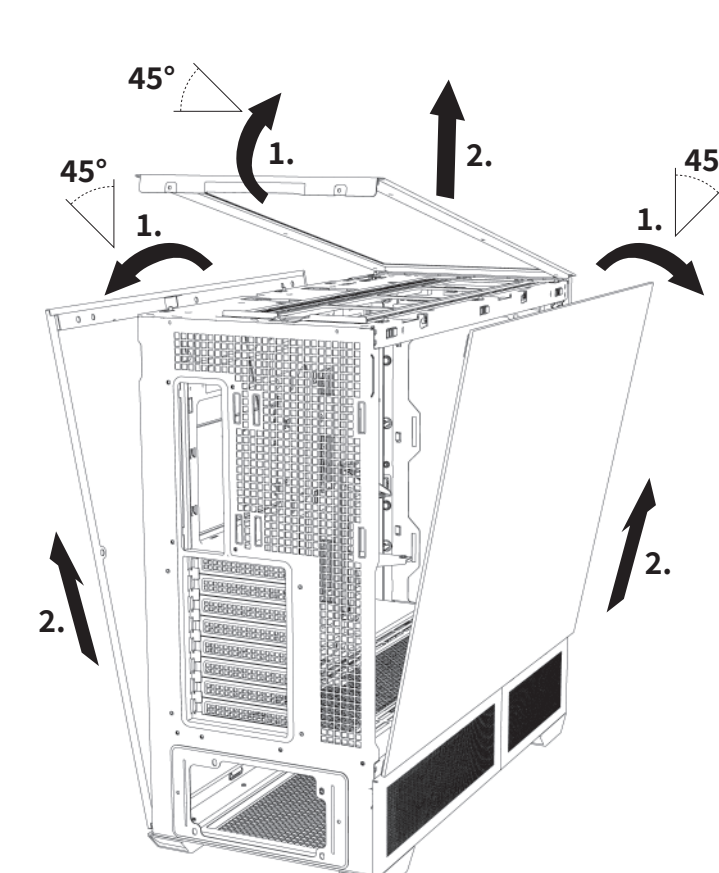
#### 2.4 FAN & RADIATOR INSTALLATION .....10



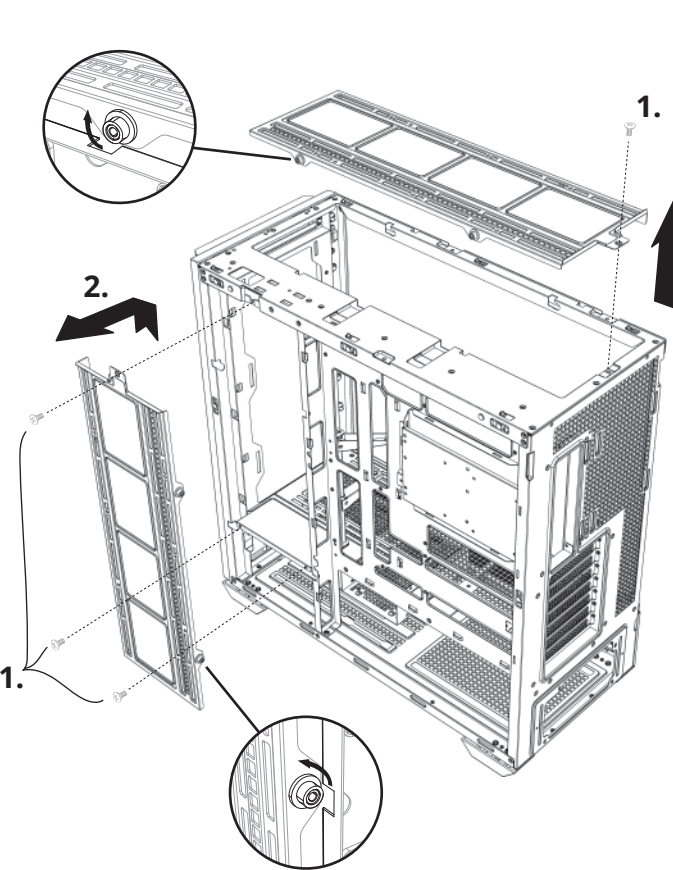
#### 2.4 FAN & RADIATOR INSTALLATION .....11



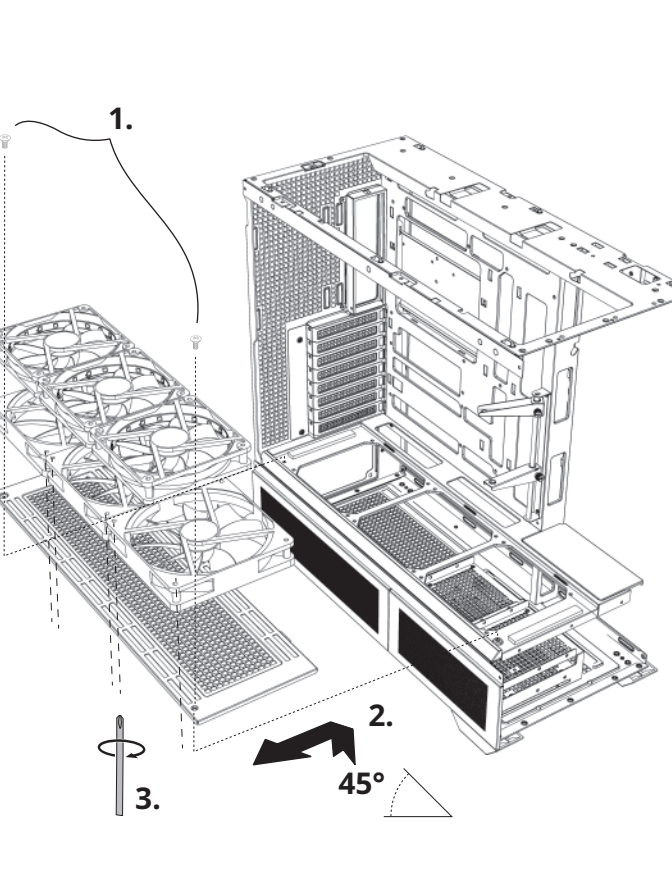
#### 2.4 FAN & RADIATOR INSTALLATION .....12



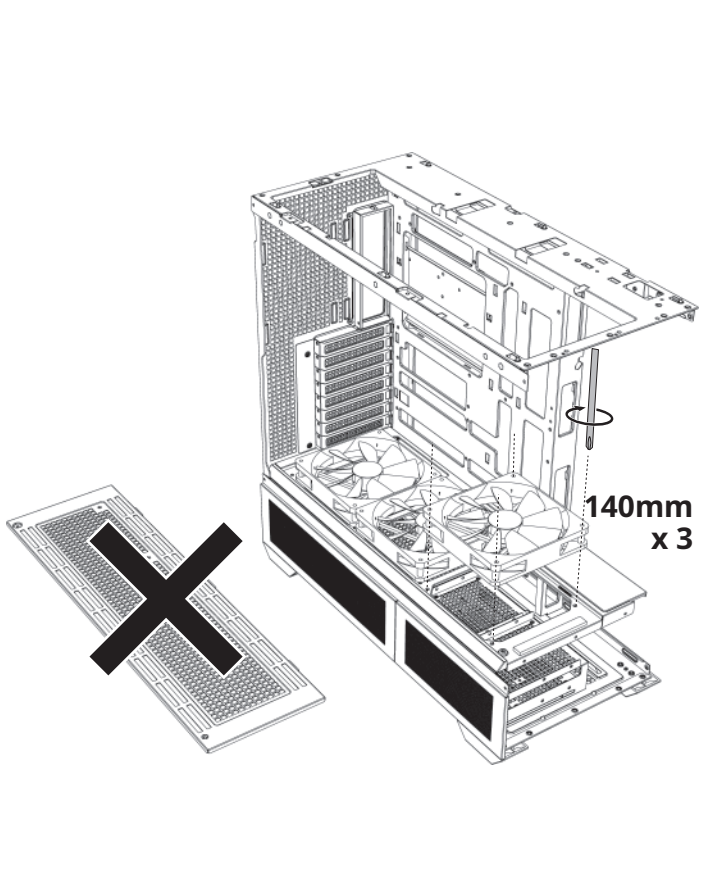
#### 2.4 FAN & RADIATOR INSTALLATION .....13



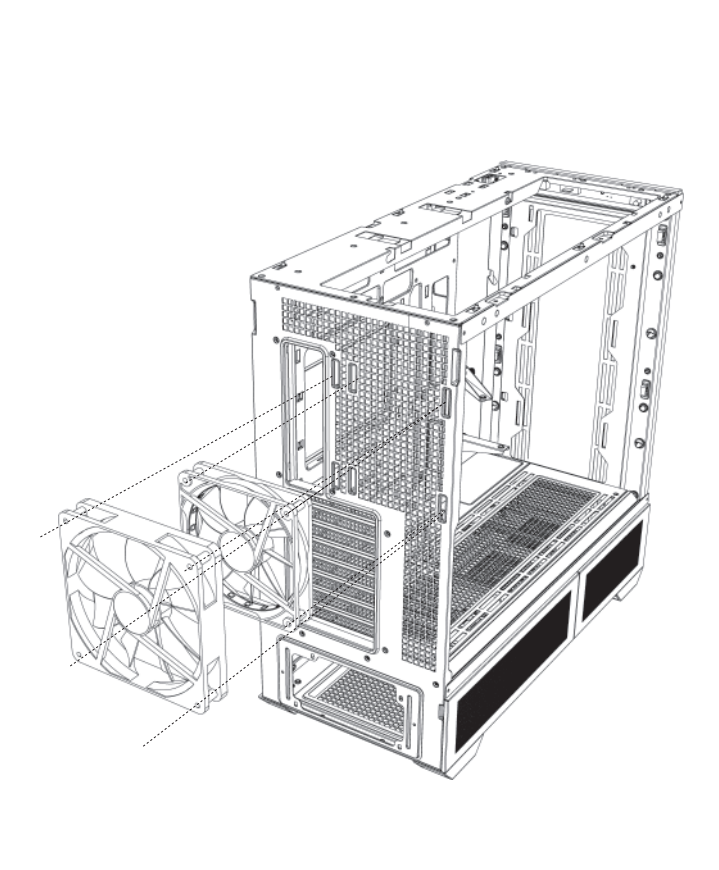
#### 2.4 FAN & RADIATOR INSTALLATION .....14



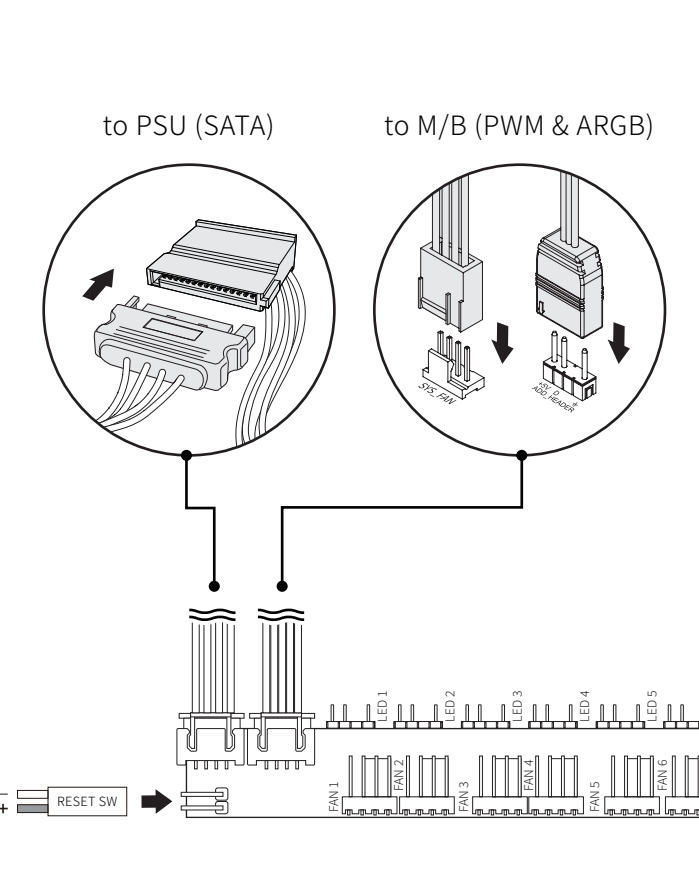
#### 2.4 FAN & RADIATOR INSTALLATION .....15



#### 2.4 FAN & RADIATOR INSTALLATION .....16



#### 2.10 HUB INSTALLATION .....25



#### DLX ULTRA ARGB Ver. Only

